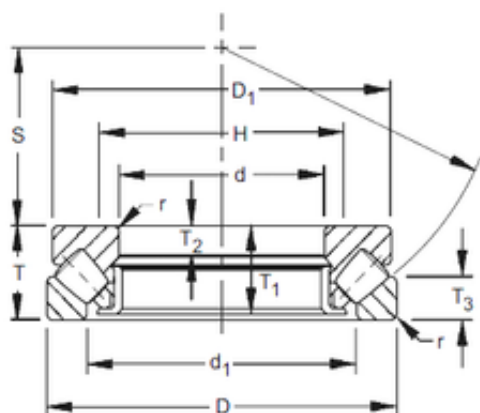


LOYAL Super Horse Bearing Distributor in Si...



Timken 29284EM

Bearing No. 29284EM

Size	420x580x95 mm
Bore Diameter	420 mm
Outer Diameter	580 mm
Width	95 mm
d	420 mm
D	580 mm
T	95 mm
B	41 mm
C	50 mm
r max	5,1 mm
T1	70 mm
d1	479 mm
D1	542 mm
H	500 mm
S	228 mm

29284EM Bearing 2D drawings and 3D CAD models